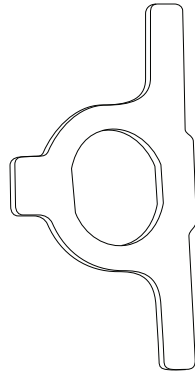
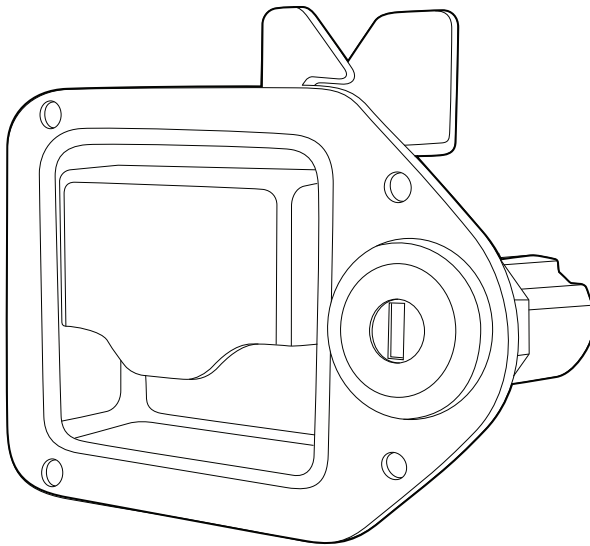


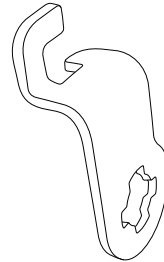
FOR SPANISH AND FRENCH TRANSLATIONS GO TO:
[HTTP://WWW.BOLTLOCK.COM/ABOUT-STRATTEC/BOLT-LITERATURE](http://www.boltlock.com/about-strattec/bolt-literature)

ENCUENTRA INSTRUCCIONES DE ENSAMBLE EN ESPAÑOL EN EL WEBSITE:
[HTTP://WWW.BOLTLOCK.COM/ABOUT-STRATTEC/BOLT-LITERATURE](http://www.boltlock.com/about-strattec/bolt-literature)

POUR INSTRUCTIONS EN FRANÇAIS, VISITEZ
[HTTP://WWW.BOLTLOCK.COM/ABOUT-STRATTEC/BOLT-LITERATURE](http://www.boltlock.com/about-strattec/bolt-literature)



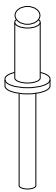
SPACER



LEVER

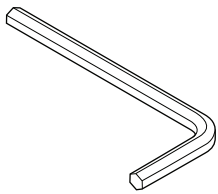


E-CLIP

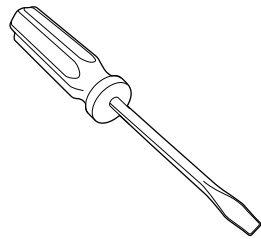


4x

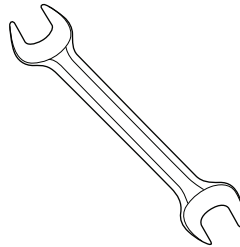
RIVET



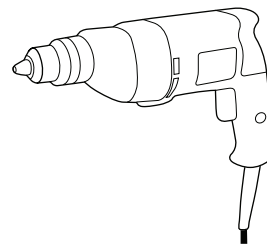
1/8" ALLEN WRENCH



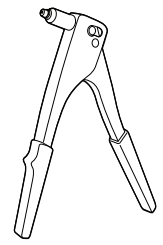
FLATHEAD SCREW DRIVER



1 1/4" WRENCH



DRILL W/ 3/16" (RECOMMENDED) BIT

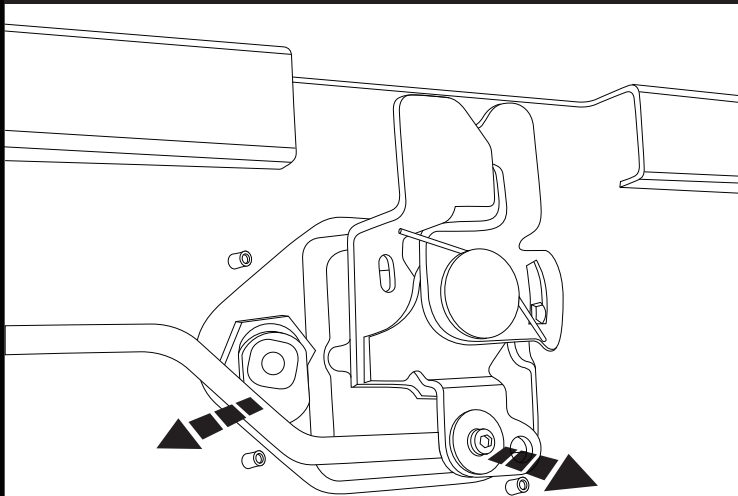


RIVET GUN

REMOVAL OF OLD HANDLE

2

DRILL OUT EXISTING RIVETS (RECOMMENDED SIZE IS 3/16")
DO NOT EXCEED SIZE #16 DUE TO RISK OF DAMAGE TO TOOLBOX)

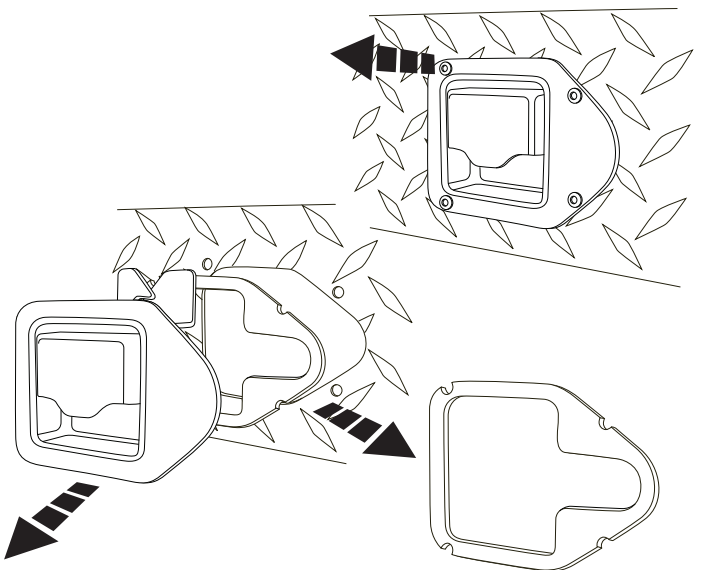


1

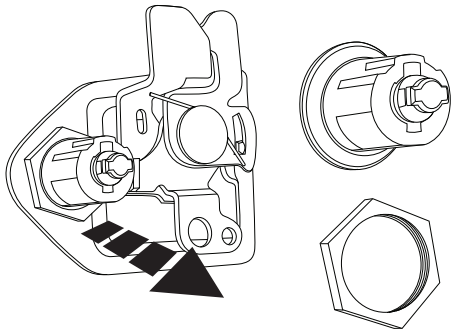
LOOSEN SET SCREWS AND REMOVE CONNECTING ROD WITH A 1/8" ALLEN WRENCH
(THIS STEP MAY NOT APPLY TO ALL MODELS)

3

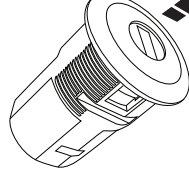
REMOVE EXISTING HANDLE/LATCH ASSEMBLY AND GASKET FROM TOOLBOX.
SAVE GASKET AS IT WILL BE RE-USED WITH NEW HANDLE.



CODING OF LOCK CYLINDER

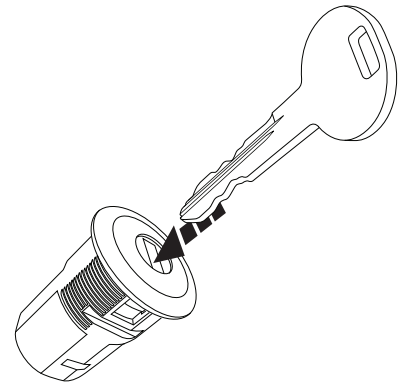


1 LOOSEN NUT & REMOVE LOCK CYLINDER FROM NEW HANDLE

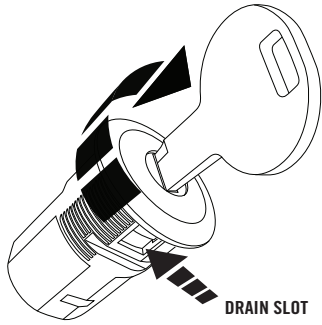


WARNING
DO NOT REMOVE
UNTIL READY TO CODE GRV
ONLY INSERT KEY
INTENDED FOR EVERY
DAY USE

2 READ WARNING LABEL AND REMOVE IT

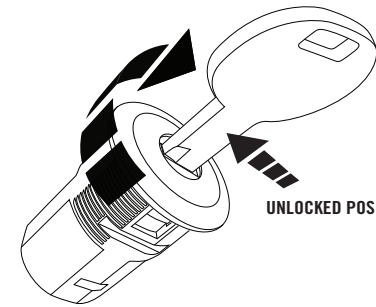


3 REMOVE IGNITION KEY FROM KEY CHAIN AND INSERT IT INTO LOCK CYLINDER



DRAIN SLOT

4 ORIENT LOCK CYLINDER SUCH THAT DRAIN SLOT IS DOWN, WHILE MAINTAINING FULL KEY INSERTION, TURN THE KEY 180° CLOCK-WISE. DO NOT PULL UP OR DOWN ON KEY WHILE CODING

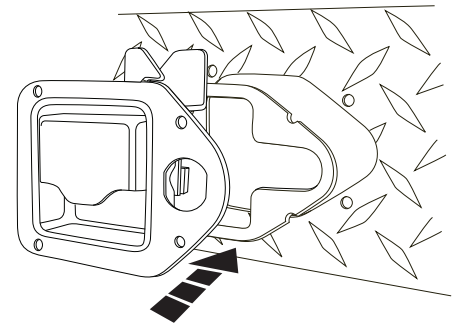


UNLOCKED POSITION

5 KEY IS NOW IN LOCKED POSITION. ROTATE 90° CLOCKWISE TO UNLOCK.

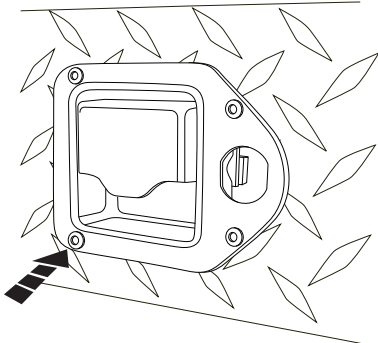
6 CYCLE LOCK 3X TO ENSURE LOCK CYLINDER WAS CODED PROPERLY LEAVE IN LOCKED POSITION WHEN READY TO INSTALL

INSTALLATION OF NEW HANDLE

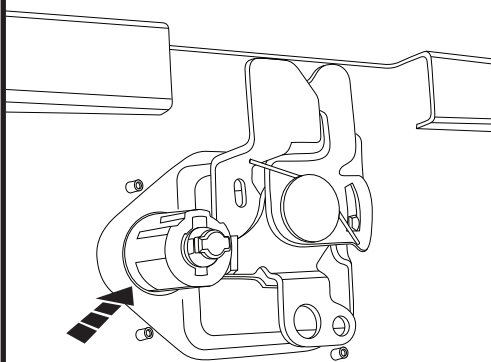


1 PLACE NEW HANDLE WITH GASKET FROM OLD ASSEMBLY INTO HOLE (LOCK CYLINDER & NUT HAVE BEEN REMOVED)

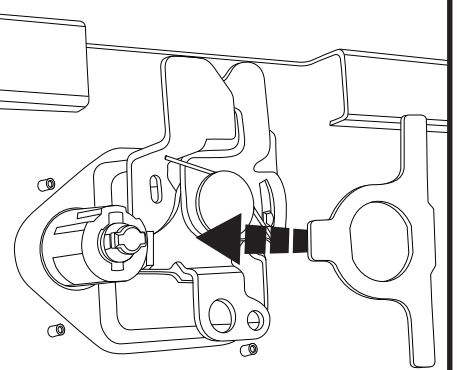
2 ALIGN ALL FOUR HOLES PRIOR TO RIVETING FOR PROPER INSTALLMENT.



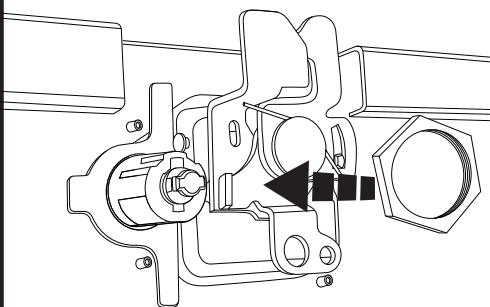
3 RIVET HANDLE INTO PLACE (4X WITH INCLUDED RIVETS)



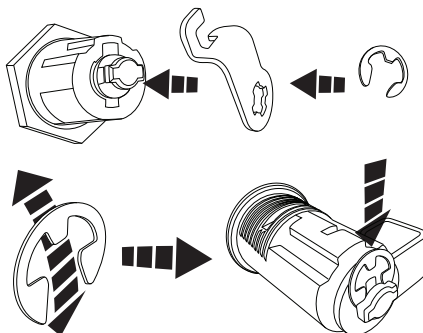
4 INSTALL CODED LOCK CYLINDER INTO HANDLE (ORIENT LOCK CYLINDER SUCH THAT DRAIN SLOT IS DOWN) LEAVE LOCK CYLINDER IN THE LOCKED POSITION



5 ASSEMBLE SPACER FROM THE BACK ONTO LOCK CYLINDER



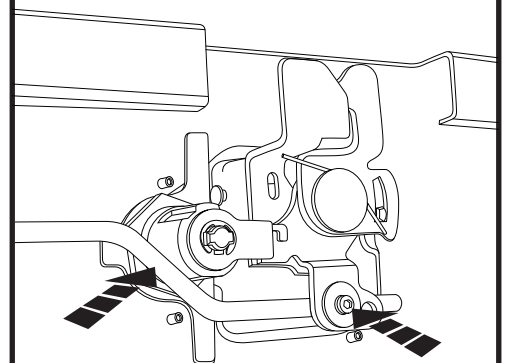
6 ASSEMBLE NUT AND TIGHTEN (RECOMMENDED TORQUE IS 8-10NM)



E-CLIP IS FORMED WITH A BOW

ASSEMBLE WITH CONCAVE SIDE AGAINST THE LEVER AS SHOWN

7 PLACE LEVER ON TAIL OF LOCK AND USE E-CLIP TO SECURE USE FLAT HEAD SCREWDRIVER TO HELP FULLY SEAT CLIP



8 MOVE CONNECTING ROD BACK INTO PLACE AND SECURE BY TIGHTENING SET SCREWS WITH A 1/8" ALLEN WRENCH (THIS STEP MAY NOT APPLY TO ALL MODELS)